

# aiwa



## CA-DW23<sup>+</sup> CA-DW245

COMPACT DISC STEREO SYSTEM

• BASIC TAPE MECHANISM: TN-21ZSW-1694

• TYPE: U,LH

### SIMPLE MANUAL

• Replace this Service Manual with "Revision Publishing" when it is issued.

S/M Code No. 09-993-410-3T1

99  
M U A  
SER







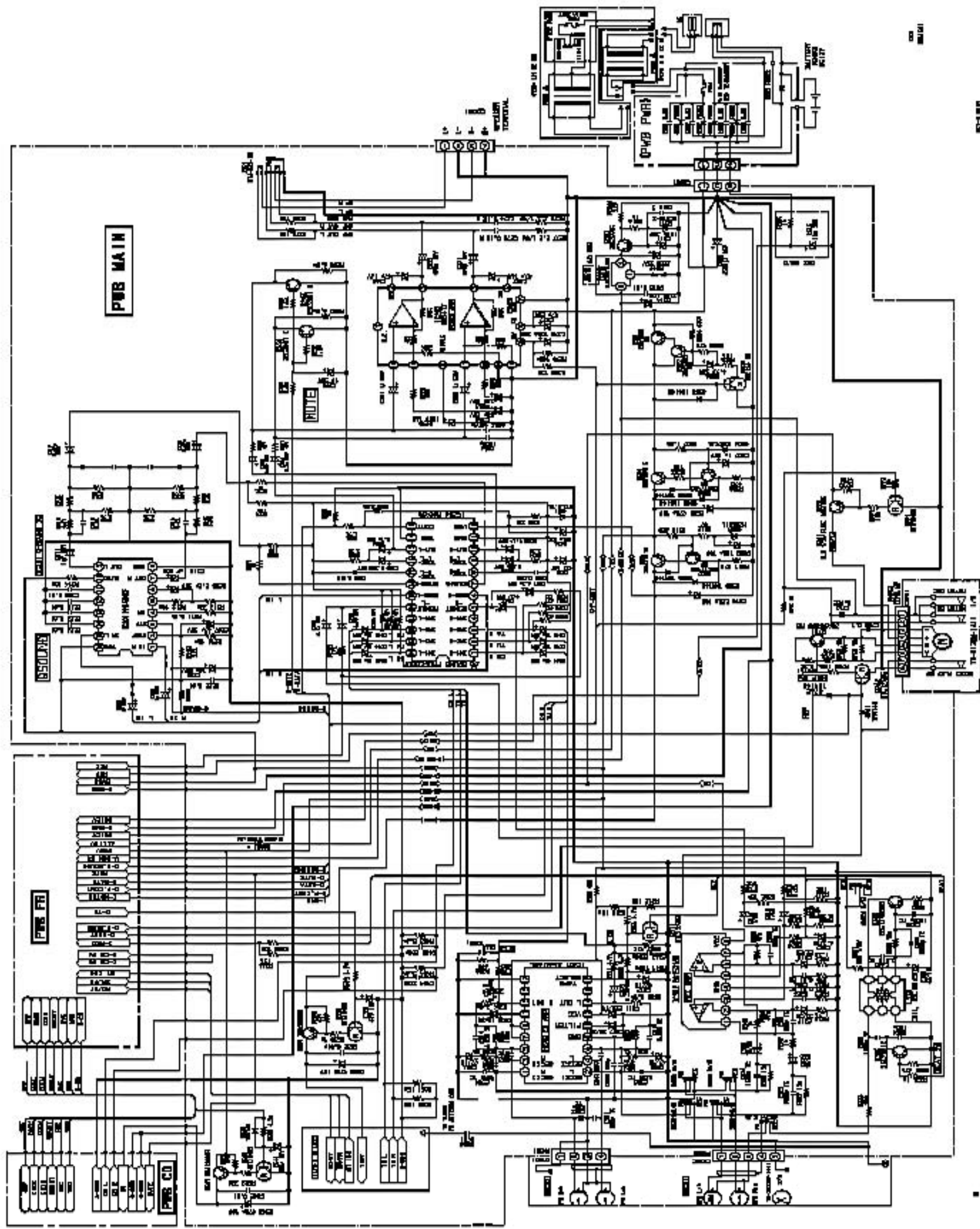








SCHEMATIC DIAGRAM - 1(MAIN)

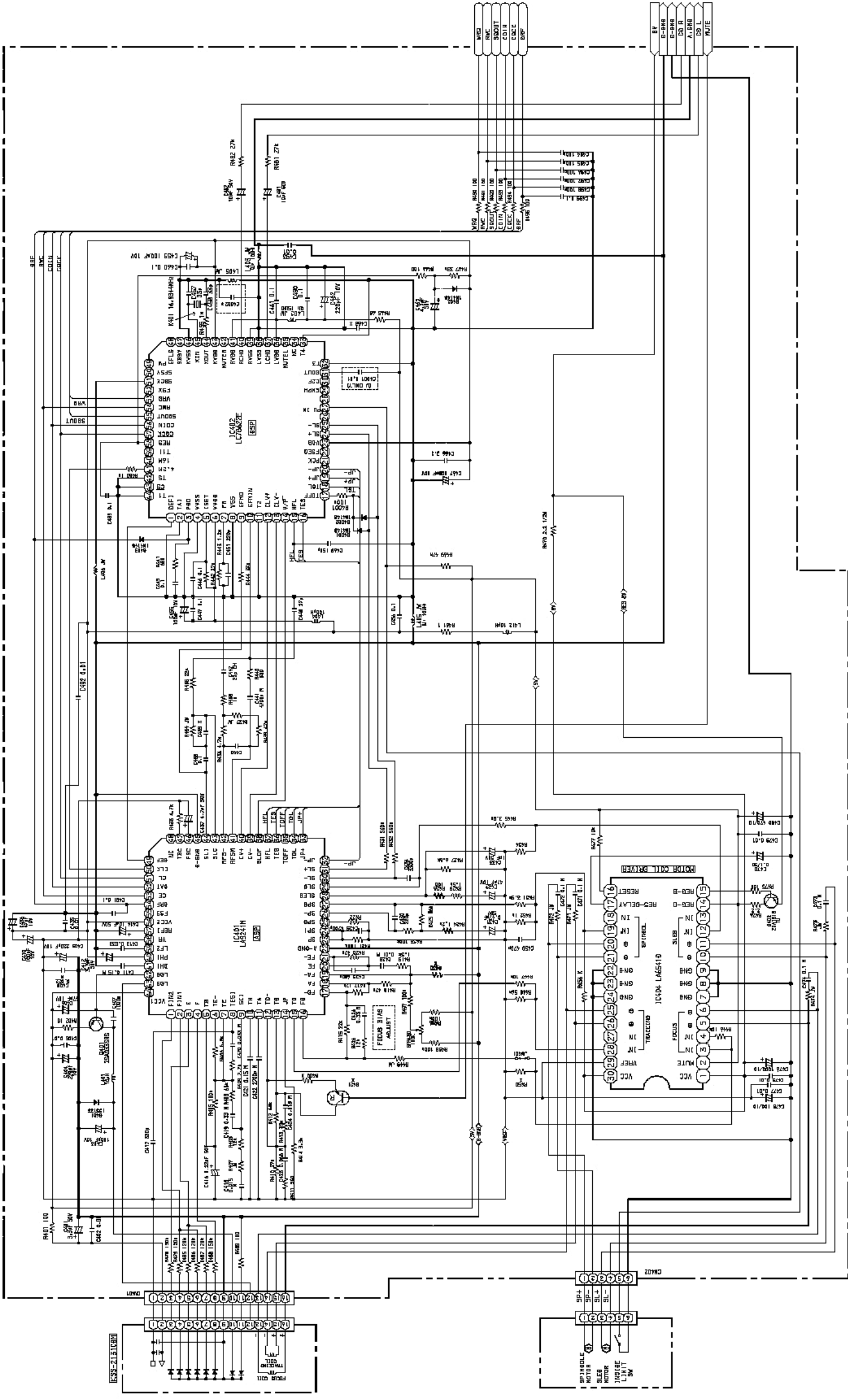






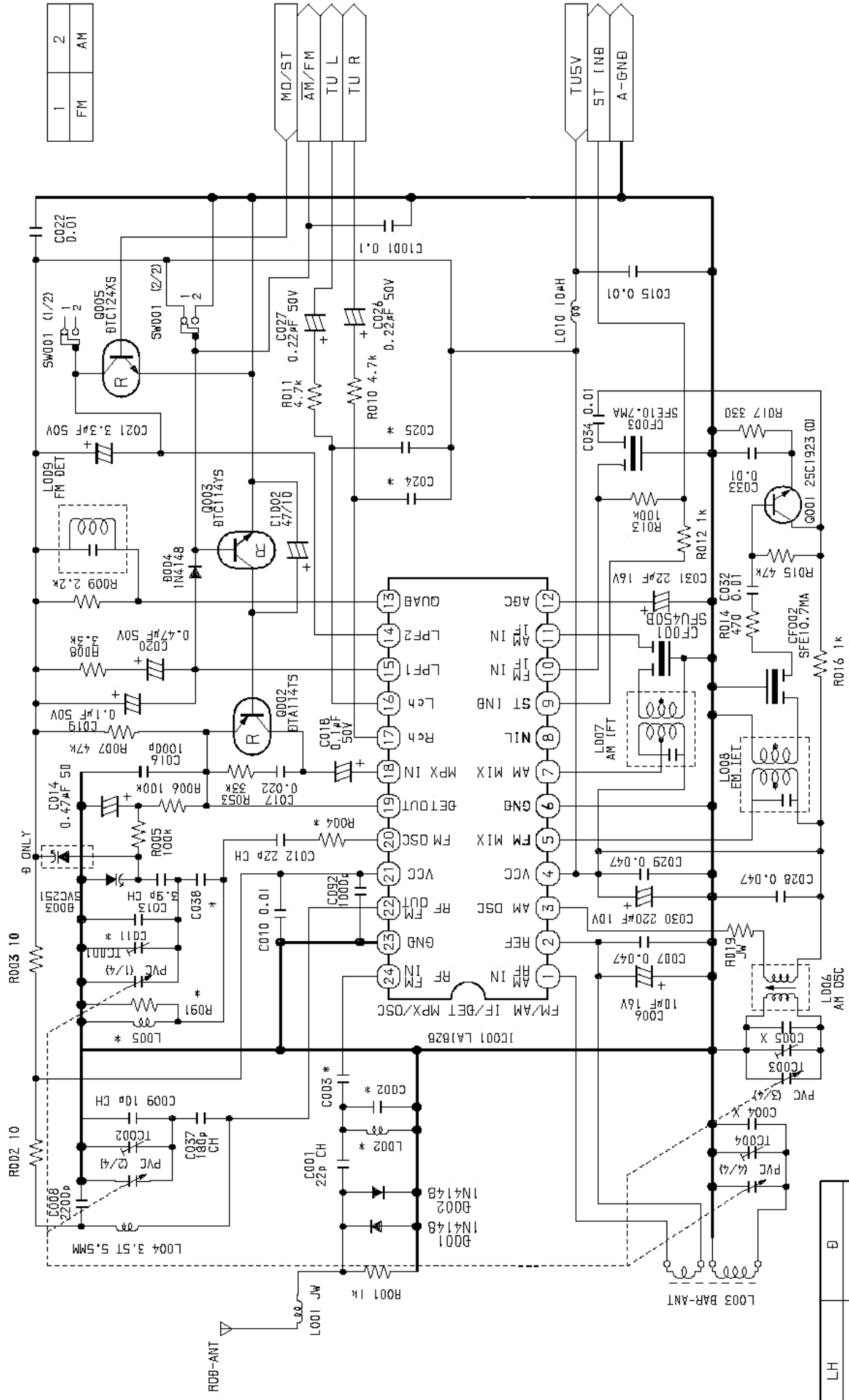


SCHEMATIC DIAGRAM - 3 (CD)



REV. 1

SCHEMATIC DIAGRAM - 4 (TUNER)



1	2
FM	AM

GIN  
XUN CAI

*	U	LH	Ø
R004	22	10	10
R091	4.7K	4.7K	—
L002	2.5T 5.0MM	2.5T 5.0MM	3.5T 5.0MM
L005	6.5T 3.0MM W/CASE	5.5T 3.3MM	5.5T 3.5MM
C011	—	—	10P CH
C038	47P CH	47P CH	JW
C024 025	0.018 M	0.012 M	0.012 M
C002	33P CH	33P CH	39P CH
C003	22P CH	22P CH	39P CH





MECHANICAL PARTS LIST-2/2

F	901	87-035-486-010	FUSE, 2.5A 125V D UL	.B.....
J	901	87-A60-177-010	JACK, AC U W/SW	.B.....
J	901	87-A60-178-010	JACK, AC E W/SW	A.....
J	901	87-A60-179-010	JACK, A D W/SW	.....
PT	901	88-CT6-60-010	P, D	.....
PT	901	88-CT6-60-010	P, EZ/	.....
PT	901	88-CT7-629-010	POWER TRANS, EI-57/25	A.....
PT	901	87-A91-302-010	PT, U	.B.....
S	901	86-CT9-039-010	SW, AC SL 2 2 2 SDKGA40100	A.....
		86-CT9-117-010	BADGE, AIWA 30N	AB.....
		86-CT9-118-010	CABI, SPKR-REAR L RF	AB.....
		8Z-CT9-041-010	CABI, SPKR-REAR R RF	AB.....
		8Z-CT9-042-010	CABI, SPKR FR A	AB.....
		8Z-CT9-043-010	CABI, SPKR FR B	AB.....
		87-651-100-410	GRILLE, SPKR	AB.....
		87-751-096-410	VT1+3-16	AB.....
		8Z-CT6-646-010	VT2+3-10 GLD	AB.....
		8Z-CT6-647-010	CORD ASSY, SPEAKER	AB.....
		8Z-CT9-631-010	SPKR, 12 3.2OHM	A.....
		88-CT6-632-010	SPKR, 12 7.0OHM	.B.....
		8Z-CT9-202-010	TERMINAL, ASSY MECHA 1P	AB.....
		8Z-CT9-203-010	HLDR, LCD	AB.....
		8Z-CT9-204-010	HLDR, LED A	AB.....
		8Z-CT9-205-010	HLDR, LED B	AB.....
		88-CT6-624-010	HLDR, LED C	AB.....
		8Z-CT9-651-010	SPR, BATT	AB.....
			PIN, RT-01T-1.0B	AB.....

ACCESSORIES / PACKAGE LIST-1/1

NOTE: The characters in the suffix column indicate the part usage.

245LH ..... XX ..... A.....  
 235U ..... XX ..... B.....

REF.NO	PARTS	DESCRIPTION	SUFFIX
		KANRI	
		N	
	87-036-389-010	SW, PUSH LOCK	A
IC 201	87-A2-46-040	C-IC,MM 34XF	AB
IC 203	87-A21-111-040	C-IC,M62495FP	AB
IC 401	87-A20-446-010	C-IC,LA9241ML	AB
IC 402	87-A20-459-010	C-IC,LC78622ED	AB
IC 404	87-A21-093-010	IC,LA6541D	AB
IC 601	8Z-CH4-636-010	IC,LC867132V-****	AB
Q 504	89-213-702-010	TR,2SB1370 (1.8W)	AB
	8Z-CT9-901-010	IB,D(J)FM	.
	8Z-CT9-905-010	IB,U(ESF)FM	.B
	8Z-CT9-906-010	IB,LH(ESP)FM	A
	8Z-CT9-907-010	IB,H(ECA)FM	.
	8Z-CT9-909-010	IB,K(E)	.
	87-050-076-010	AC CORD SET ASSY,E	A
	87-050-099-010	AC CORD SET ASSY,K3P	.
	87-A80-033-010	AC CORD SET,D BLK	.
	87-A80-109-010	AC CORD,HK7281 BLK U	.B
	87-A80-119-010	AC CORD SET ASSY,AZ	.
	87-A90-312-010	PLUG,CONVERSION WTN-1157R1	A

サービス技術ニュース

番号	連絡内容
G- -	
G- -	
G- -	

**アイワ株式会社**  
**AIWA CO.,LTD.**

9630466

Tokyo Japan